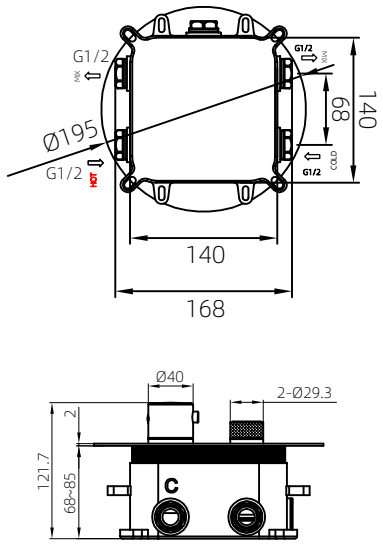
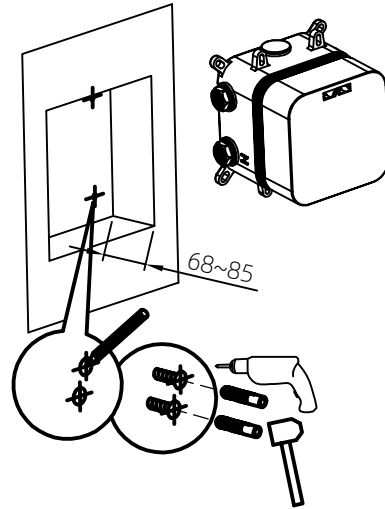


The Picture of Installation Size

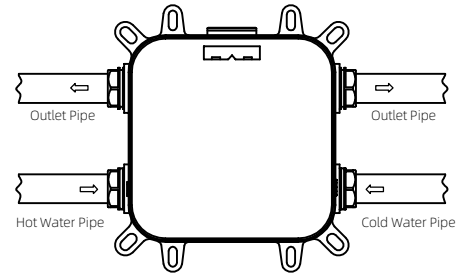


Steps of Installation



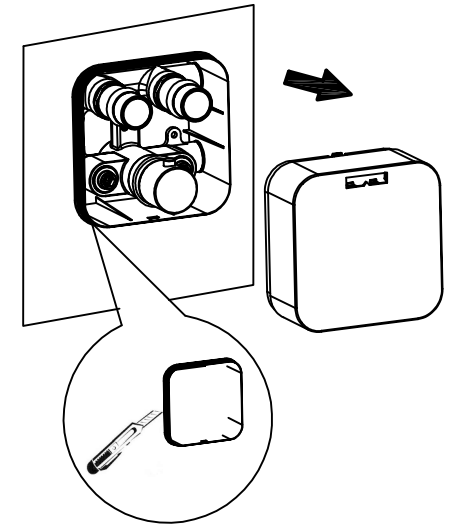
1. According to the picture of mixer installation size, dig a suitable hole in the wall (the depth of the wall is 73-86 after decoration). Put the mixer in the suitable location and mark the two fixing holes. Use an electric drill to drill 7 holes at the mark and insert the expansion rubber particles, and then fix the mixer with self-tapping screws.

①



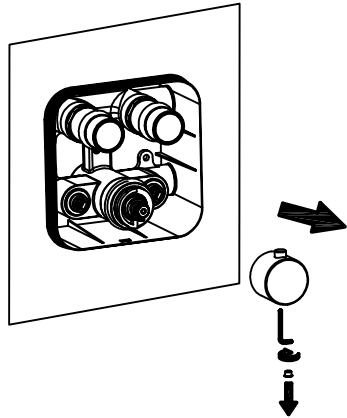
2. Use your own water pipes connections, connect the mixer to the hot and cold water sources by the left hot (red) right cold (blue) (hot and cold water must be connect correctly, otherwise the temperature cannot be adjusted). The water outlet is connected to the required water outlet port respectively (shower head, hand shower, etc) and check any leaks at each connection.

②



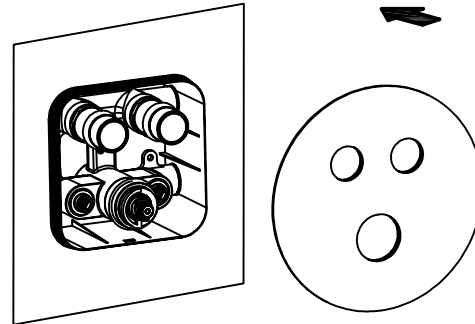
3. After decorating the wall, remove the protective cover and divide the part of the concealed box above the wall.

③



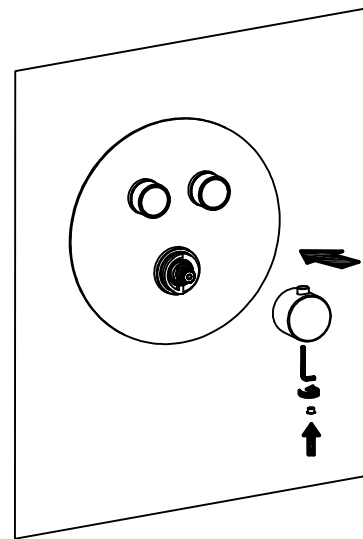
4. Remove the thermostatic handle.

④



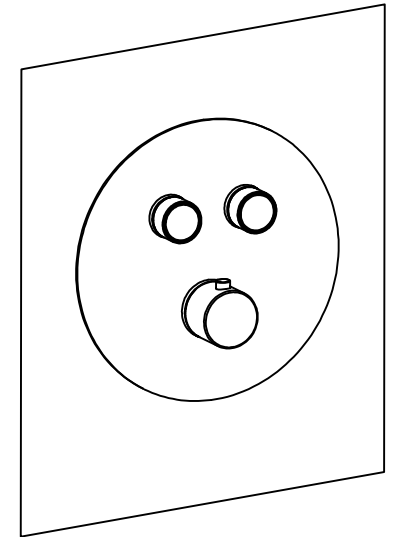
5. Install the cover panel.

⑤



6. Reinstall the thermostatic handle.

⑥



7. Finish installation, turn the thermostatic handle and press the button to turn on the mixer. Check the mixer that working properly.

⑦