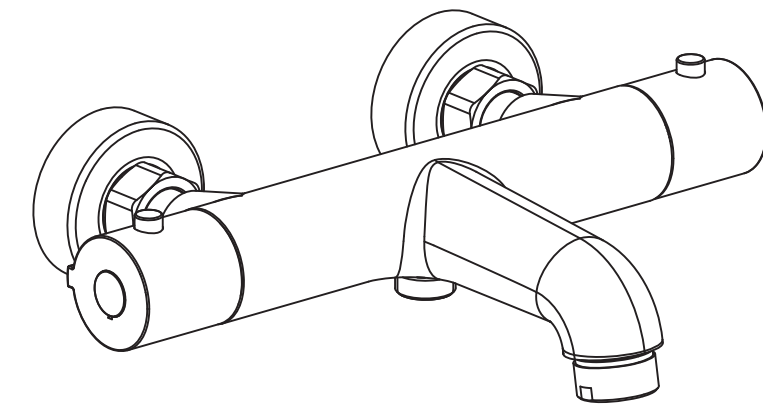


## Installation Instruction Book of Thermostatic Shower Mixer

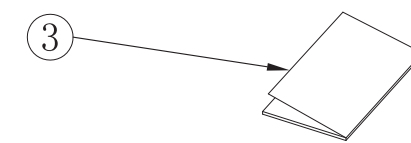
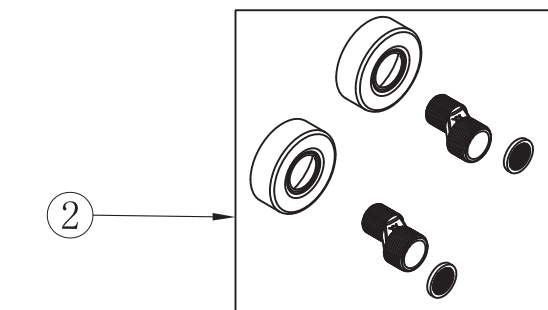
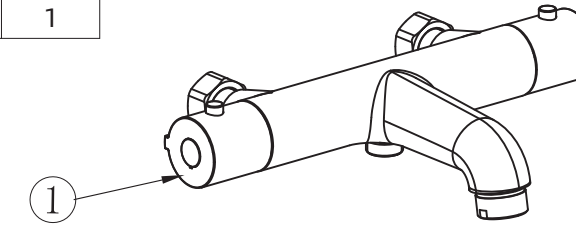


### Precautions of Installation

- Please follow the accessories listed in the list of standard accessories, check if they are complete. If you have a bad one, please contact with local dealer in time.
- The main part of mixer has been tested and debugged at the factory, please don't disassemble it by yourself to avoid affecting the performance.
- The hot and cold water must be connected according to the water inlet method of the thermostatic mixer, which is hot on the left (red color) and cold on the right (blue color), otherwise the thermostatic mixer cannot be used.
- Before installing and connecting the thermostatic mixer, please clean the inner cavity of water supply pipe to make sure that there is no foreign matter in the pipe.
- Applicable water pressure: 0.05-0.5Mpa  
Applicable hot water temperature: 55-85°C, cold water temperature: 4-29°C
- It is not suitable to use a water equipment with the own switch function (For example: a shower handset with water off function)
- Please pay attention to the antifreeze of thermostatic mixer when it is stopped in low temperature environment.

### The List of Standard Accessories

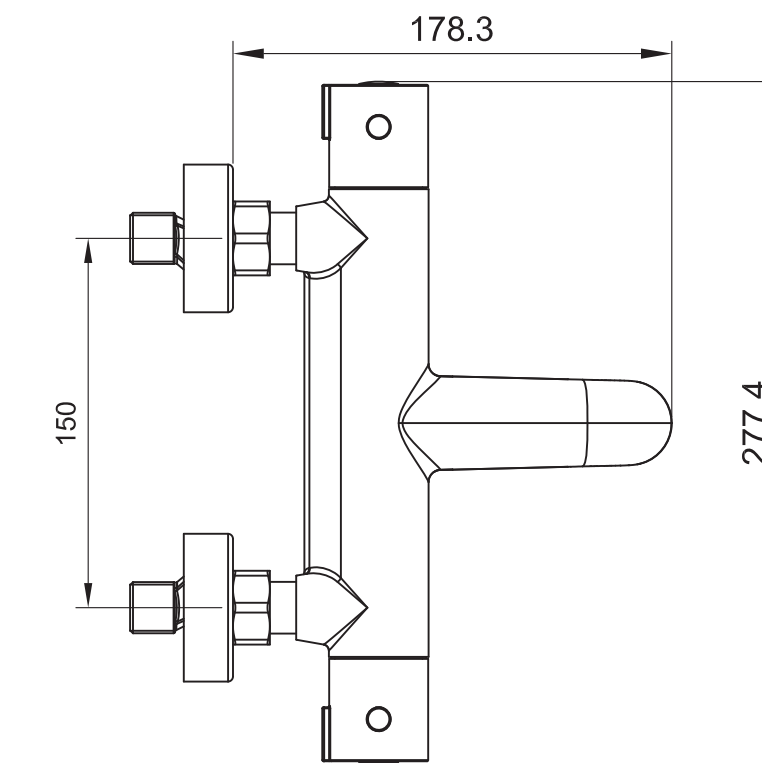
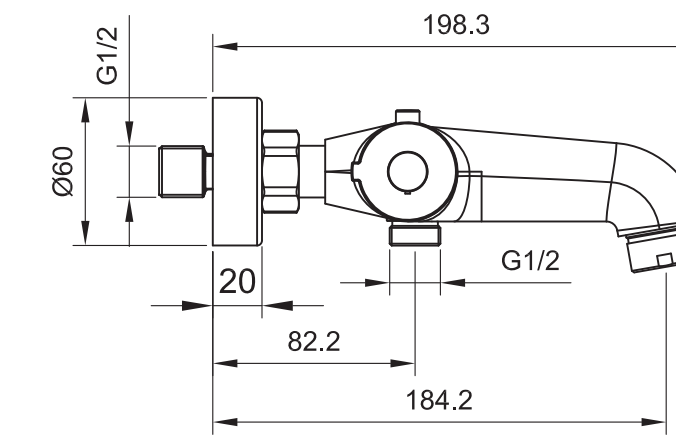
Number	Name	Quantity
1	Mixer	1
2	Gasket	2
	Eccentric	2
	Decorative cup	2
3	Instruction	1



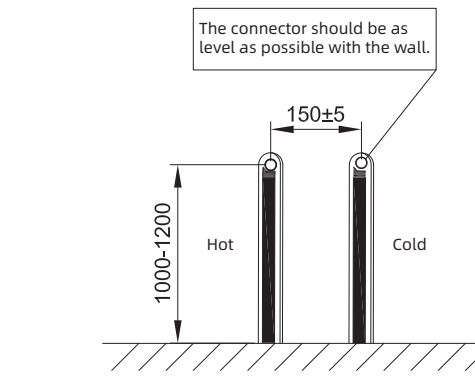
### Installation Tool

Electric Drill	PTFE Tape	Spirit Level
Spanner	Screwdriver	

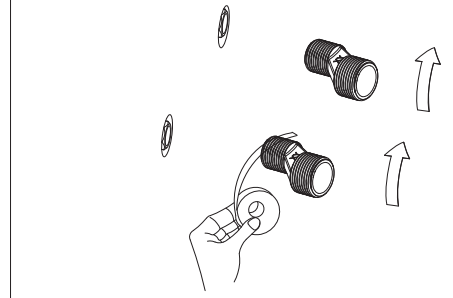
### The Drawing Picture of Installation Size



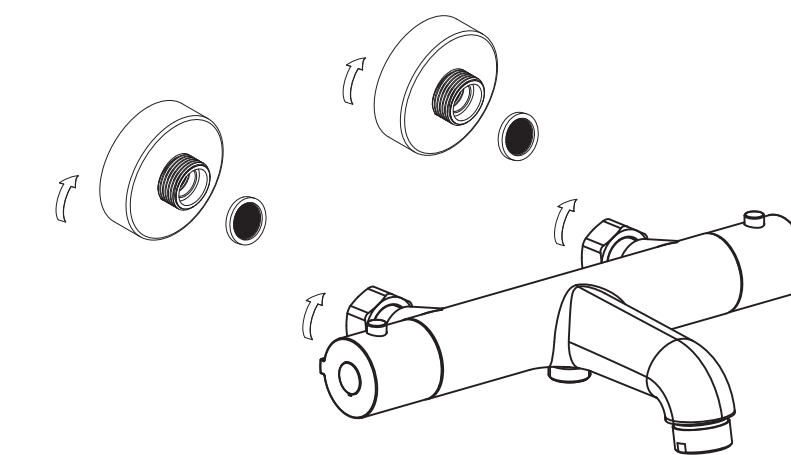
### Steps of Installation



- First ensure to let two outlets is on the same level before installation and the distance between two water outlets is within the allowable range. Please use the left-hot right-cold connection for the cold and hot water.



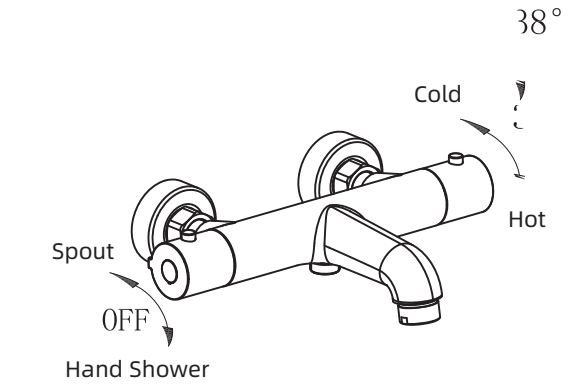
- After wrapping the eccentric with PTFE tape, please connect with the pre-embedded water outlet pipe connector.



- Screw into decorative cup and then the hex nut on the mixer. Fix the mixer to the water inlet connector.

### Instructions for use

- Turn the right side handle to control the temperature. Turn clockwise to decrease the outlet temperature and turn counterclockwise to increase the outlet temperature. When the temperature rises to 38°C, you need to press the handle button to continue to adjust the higher temperature.
- Turn the left side handle to control the flow. Turn counterclockwise to the spout outlet water and turn clockwise to hand shower outlet water.



### Care and Maintenance about Product

- In order to keep the mixer surface clean and bright, please wash the mixer frequently or regularly.
  - Clean with clear water, often with a soft cotton cloth to wipe dry.
  - Don't use coarse-grained detergents or nylon brushes, such as stain removers or polishing powders, as they may abrade the product.
  - Erosion due to acidic detergent coating, reason should not be used, if flow washing by the acidic detergent, immediately to ceramic tile and appliance fully washed with water, so as to avoid the detergent flow to the surface of a tap, erosion leading by mixer plating.
- If extensive cleaning is required, please follow these steps:
  - Clean with clear water and use a soft cotton cloth. Quantity to remove surface dirt and scale membrane.
  - Use of any of the following cleanser to clean the surface dirt and scale membrane:
    - Soft liquid cleanser**
    - Colorless glass cleanser, not grinding effect and completely dissolving powdered cleanser (and follow the steps to mix)**
    - Non-grinding polish**
  - After cleaning, please use the clean water to remove all cleanser and use the soft cotton cloth to make it dry.
- If feel water yield decreased significantly, the filter gasket installed at the water inlet joint needs to be removed, the pipe and filter debris clean: and then press the original installation steps back then.