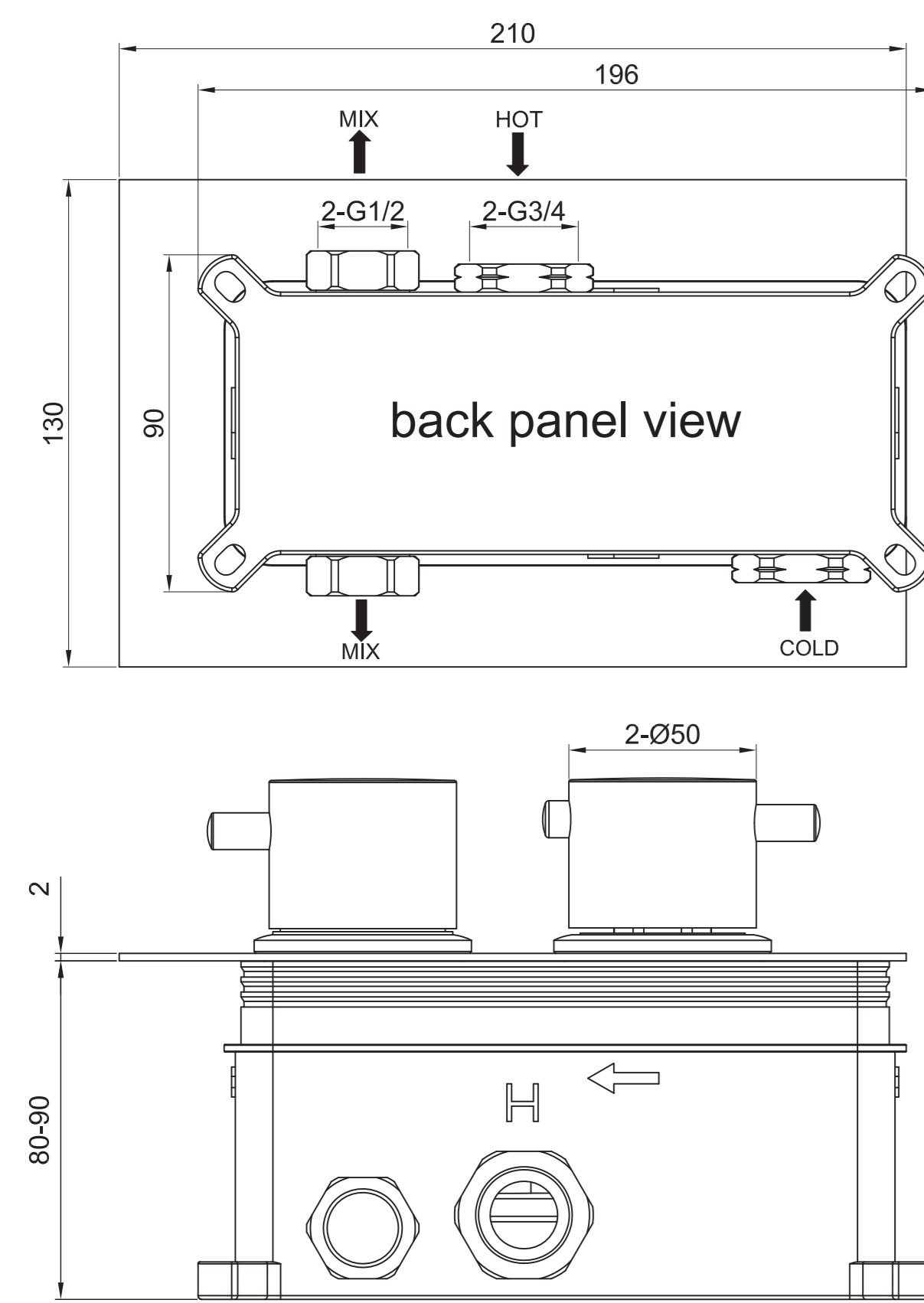


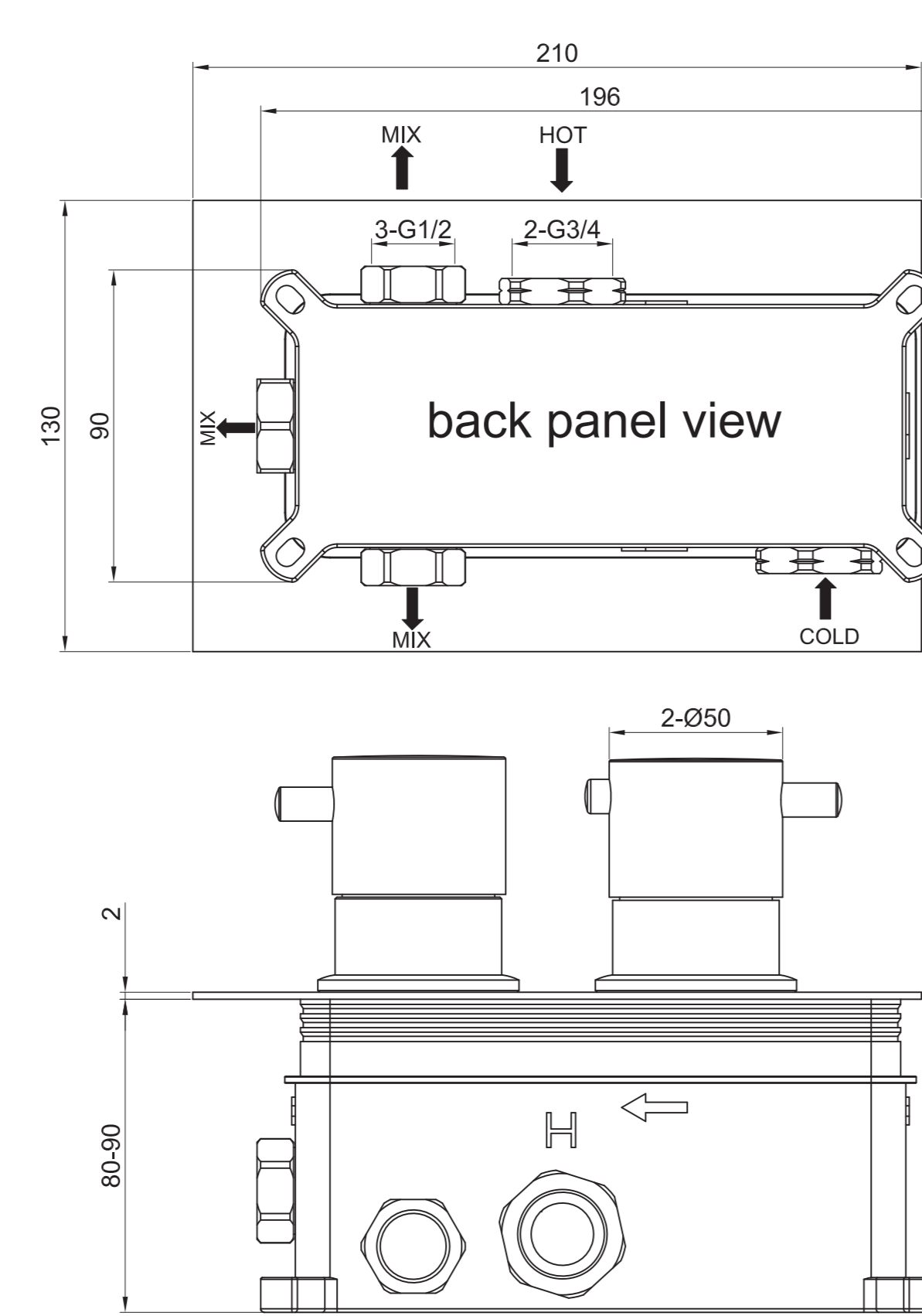
Installation dimension drawing

2 functions

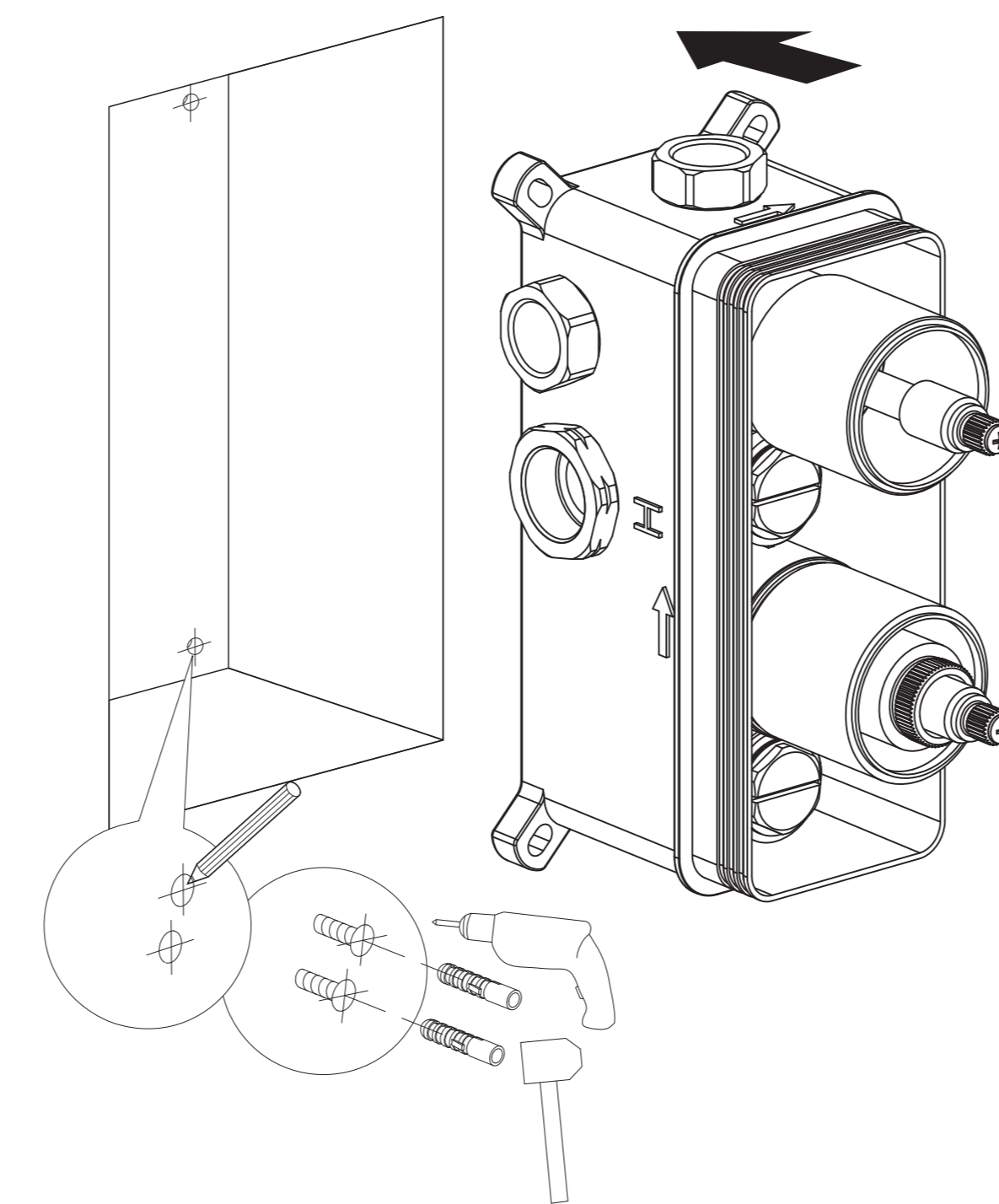


Installation dimension drawing

3 functions

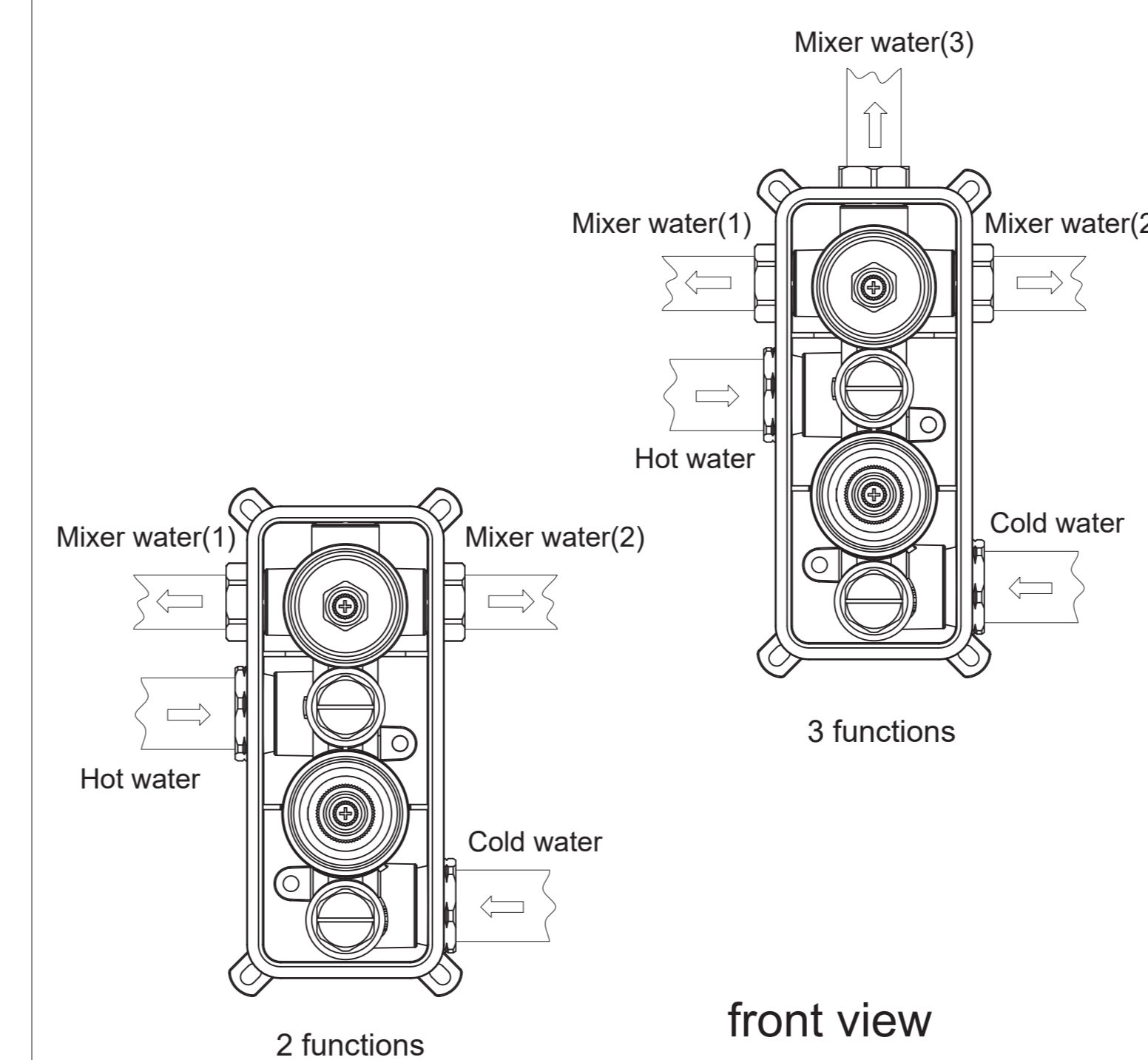


Installation Procedure



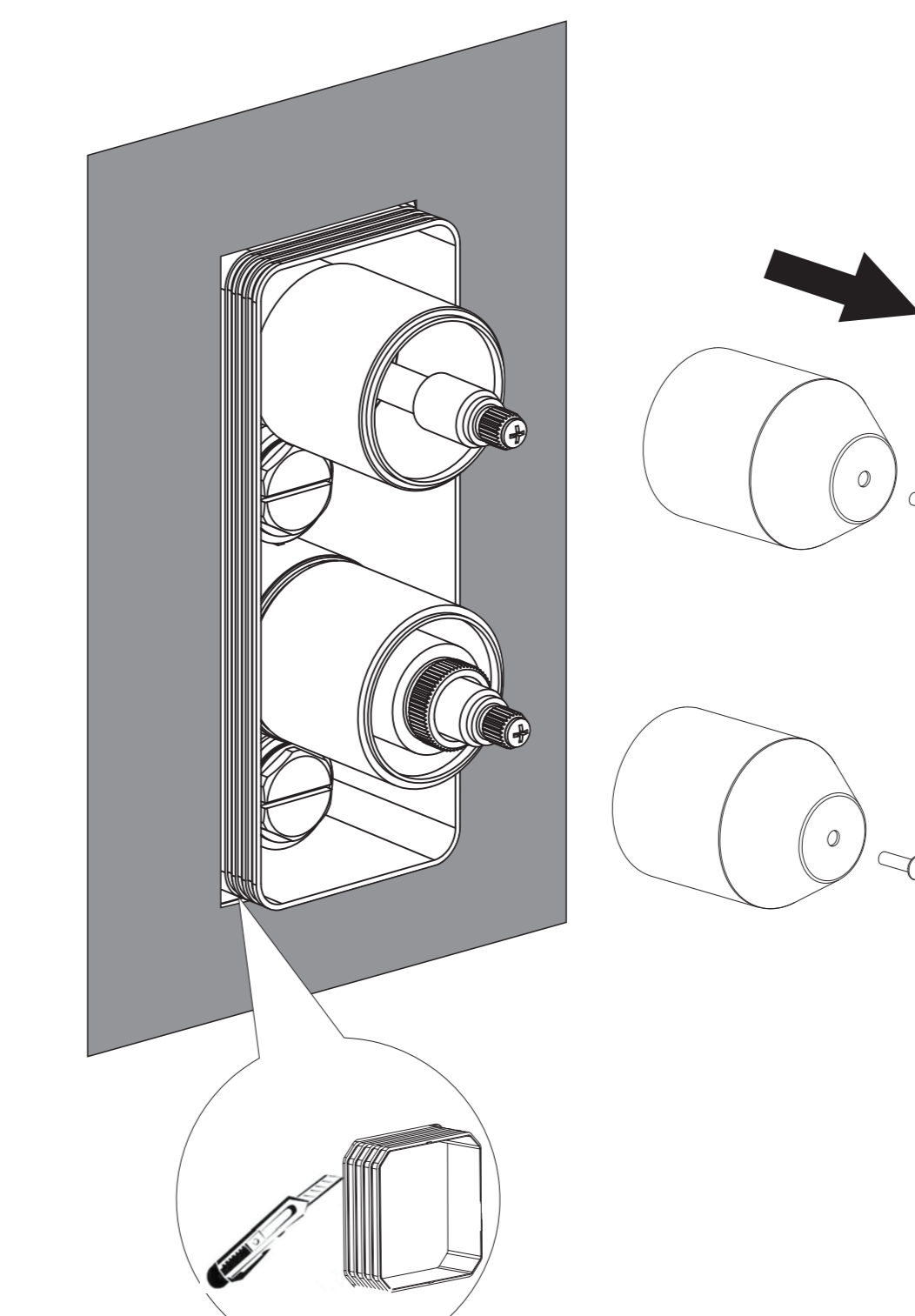
1. Drill holes in the wall strictly according to the drawing size.

①



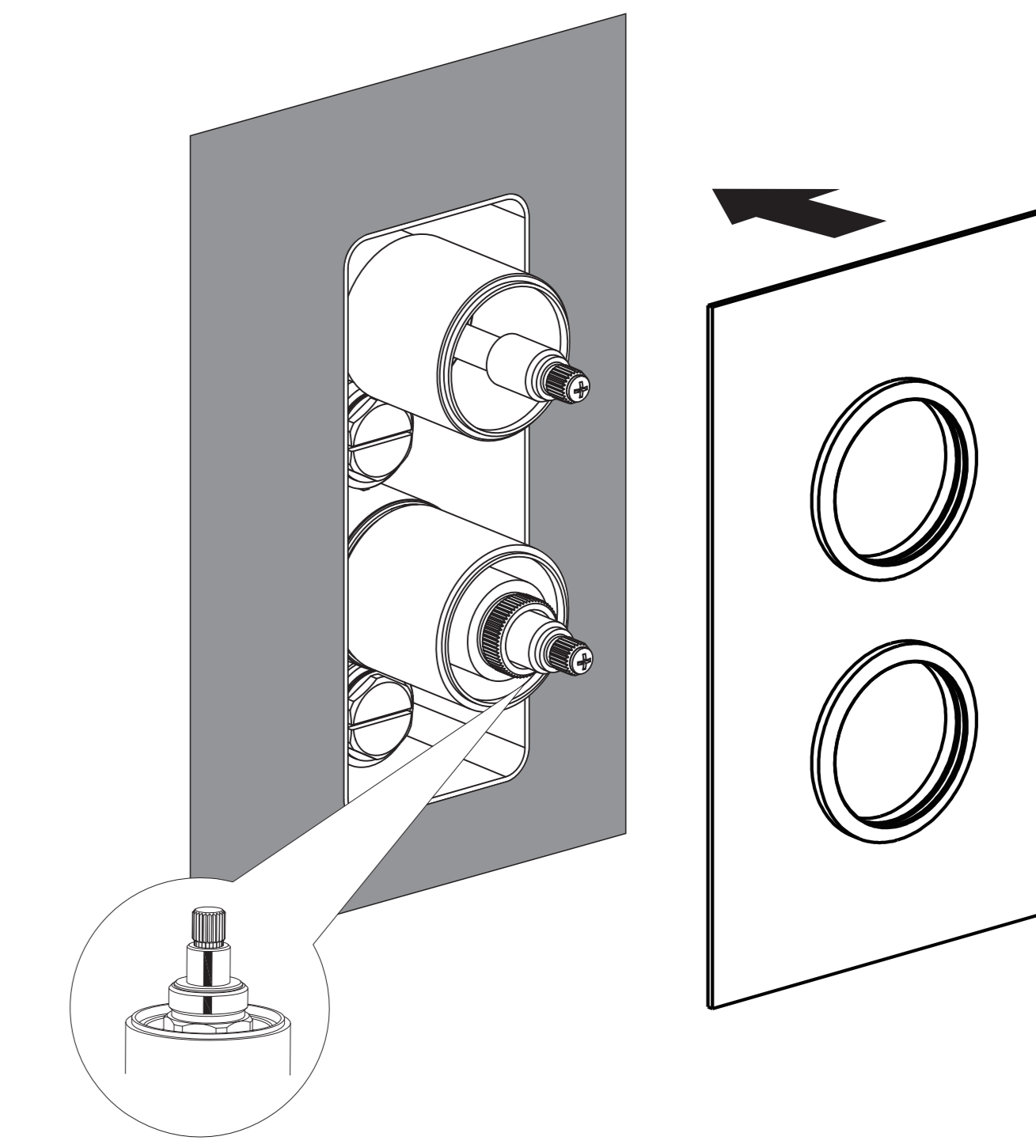
2. Connect the inlet and outlet pipes to the main body according to the instructions in the figure. After marking the position, fix the pre-embedded main body with screws (note the adjustment to ensure that the main body is level).

②



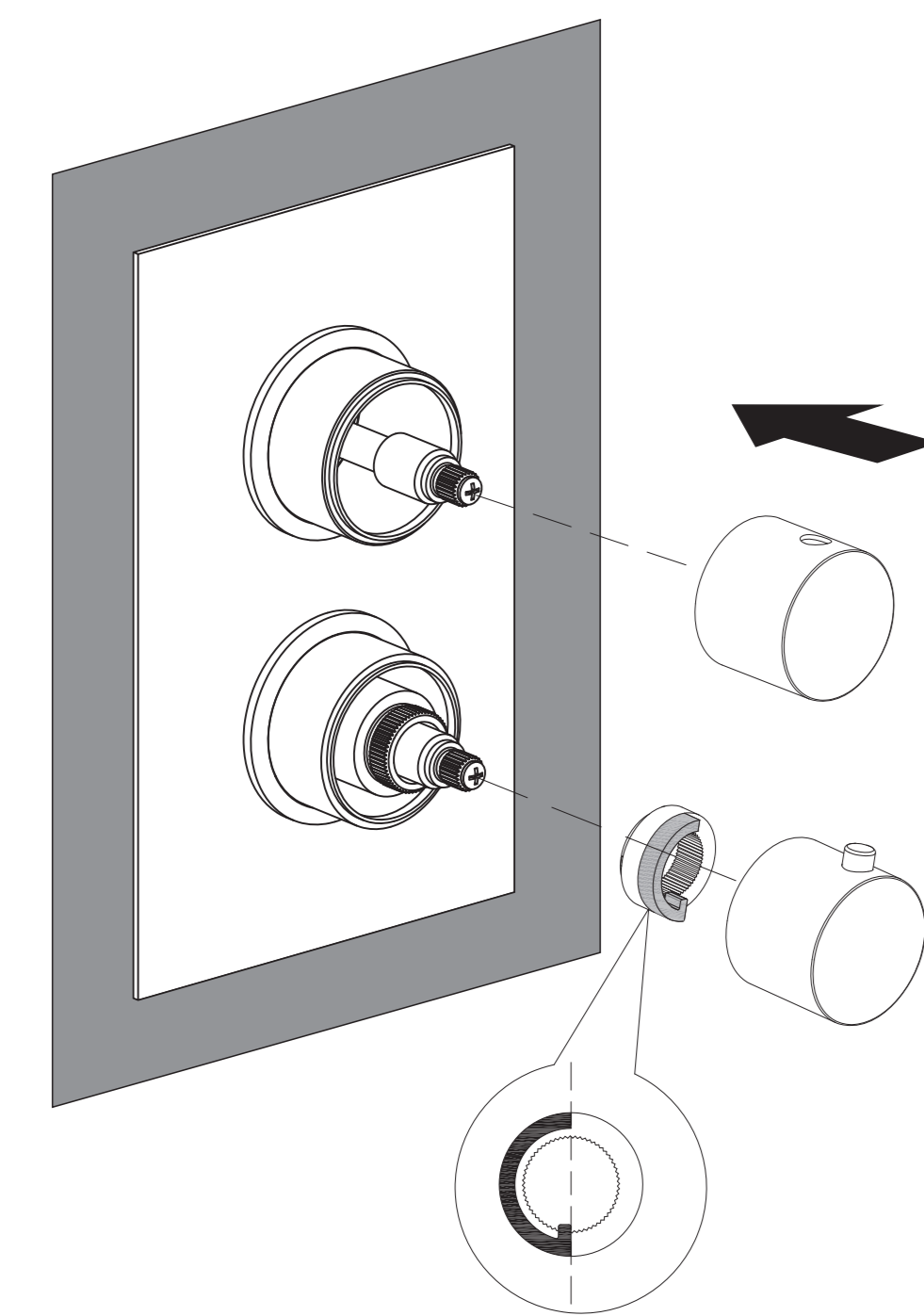
3. Use a blade to cut the embedded box shell beyond the wall.

③



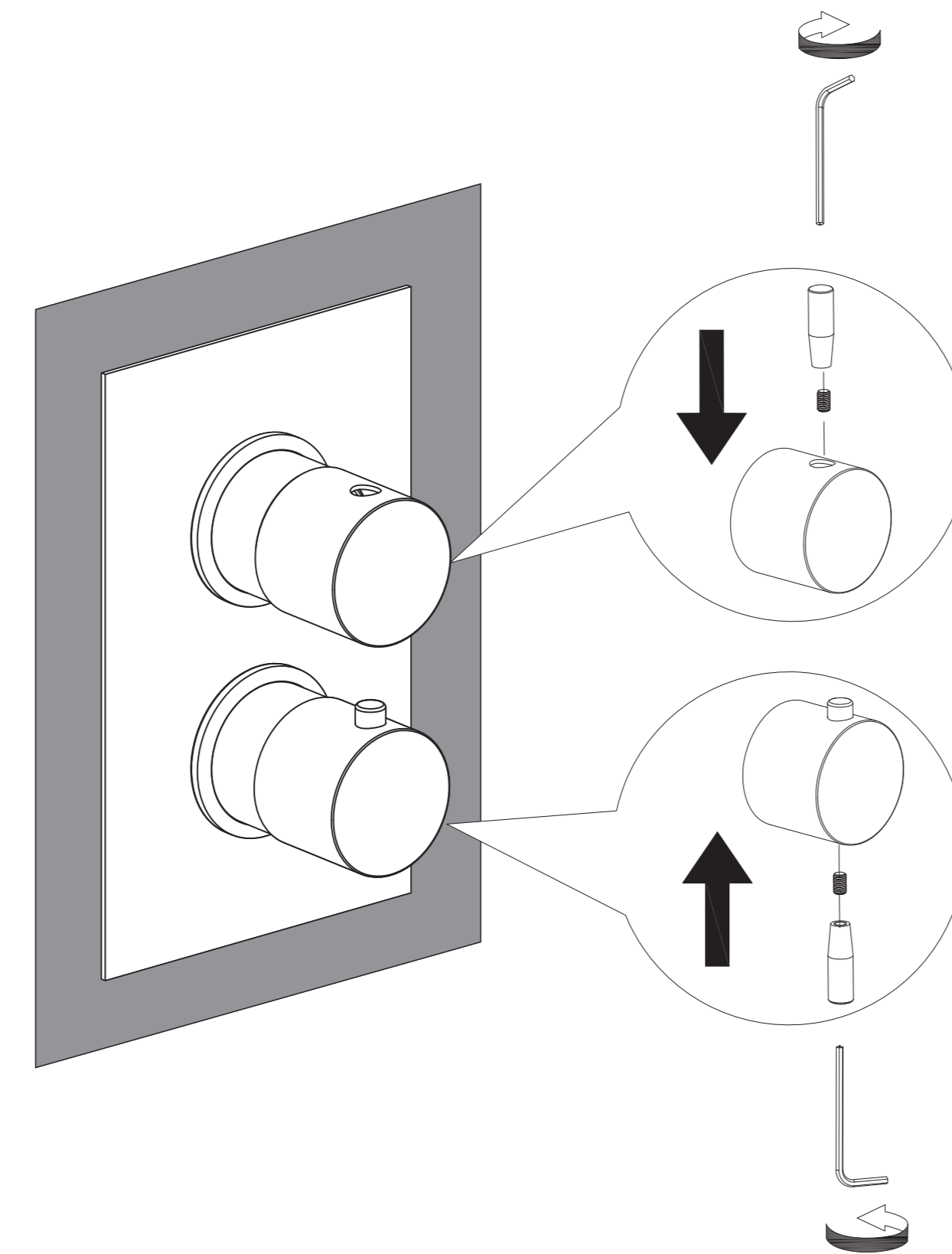
4. Check the thermostatic cartridge is aligned with the line of the handle seat as the factory setting of 38 °C and hang the cover to the main body for fixation.

④



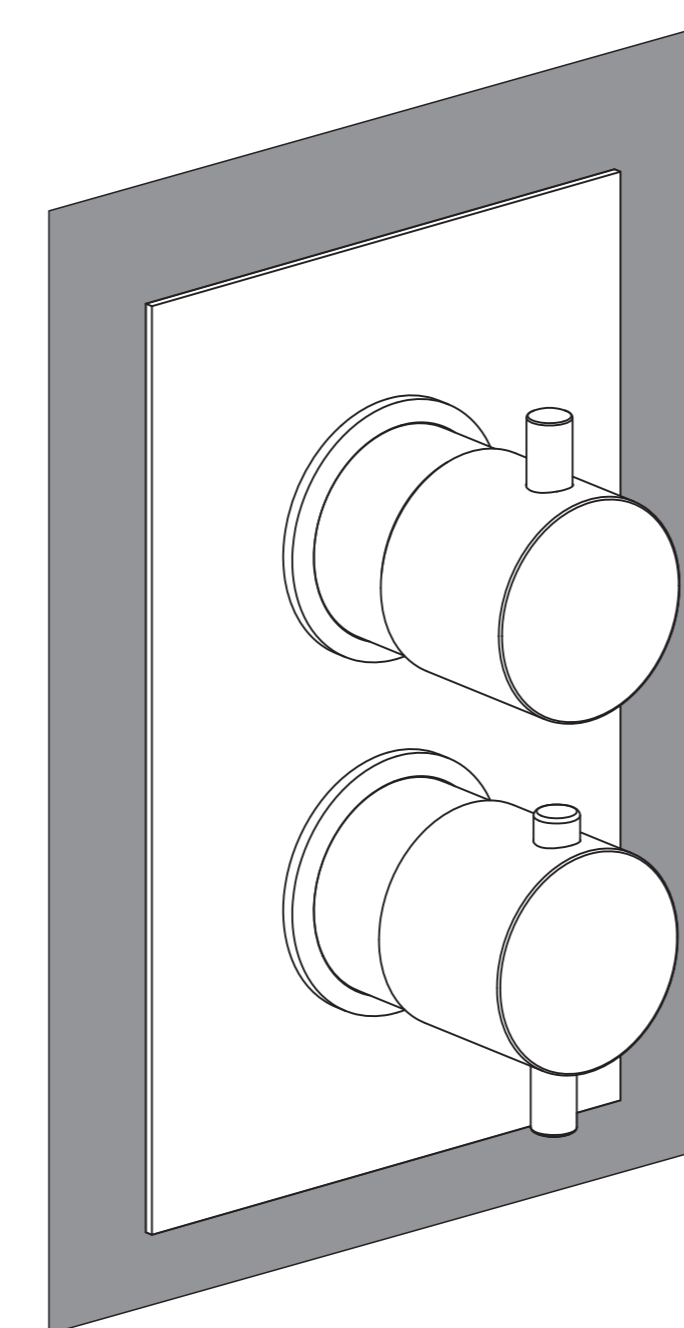
5. Follow the direction from the picture to install the fixed ring, thermostatic handle, switch handle

⑤



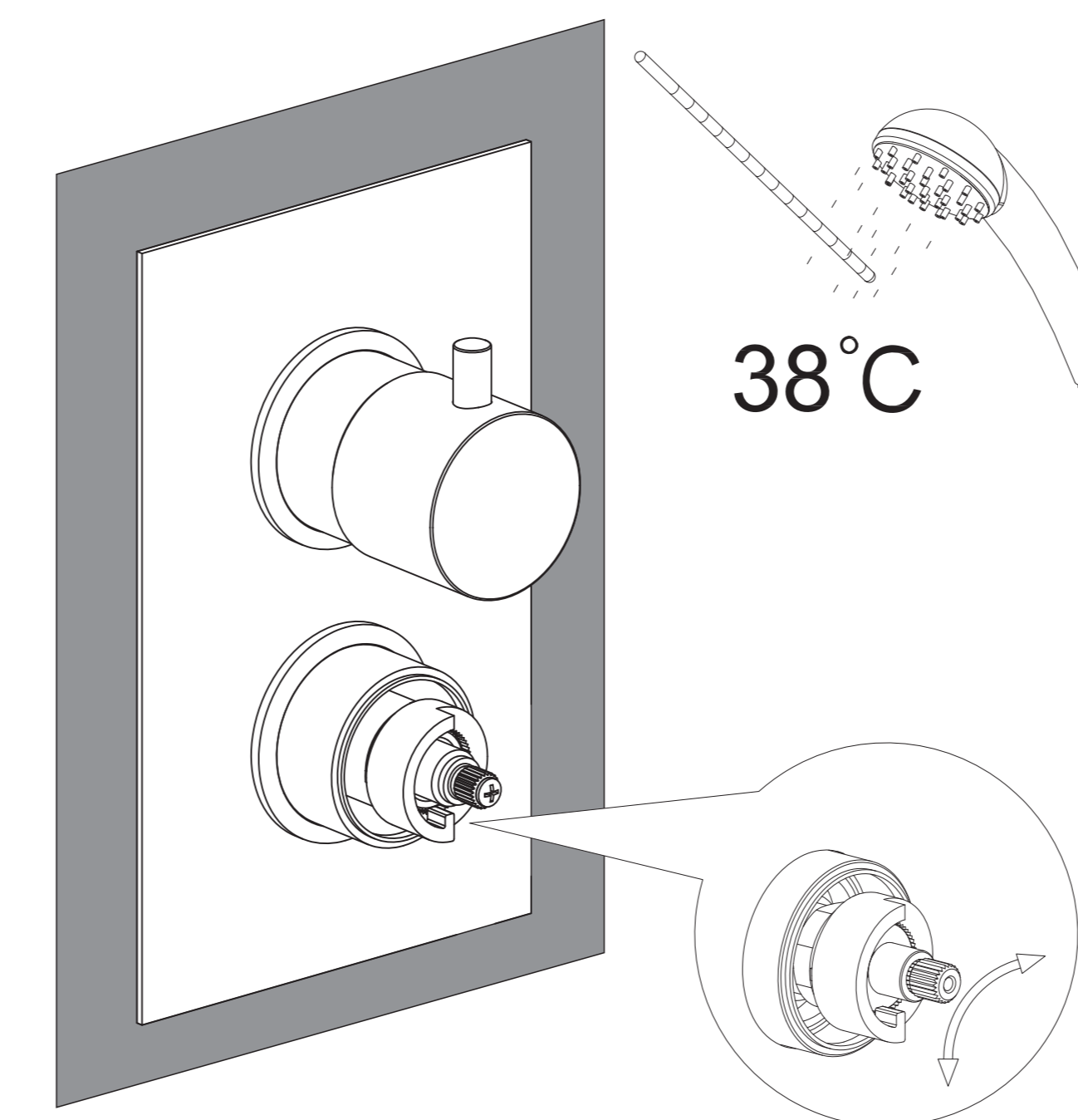
6. Tighten the screws with the Hex Wrench, and install the handle.

⑥



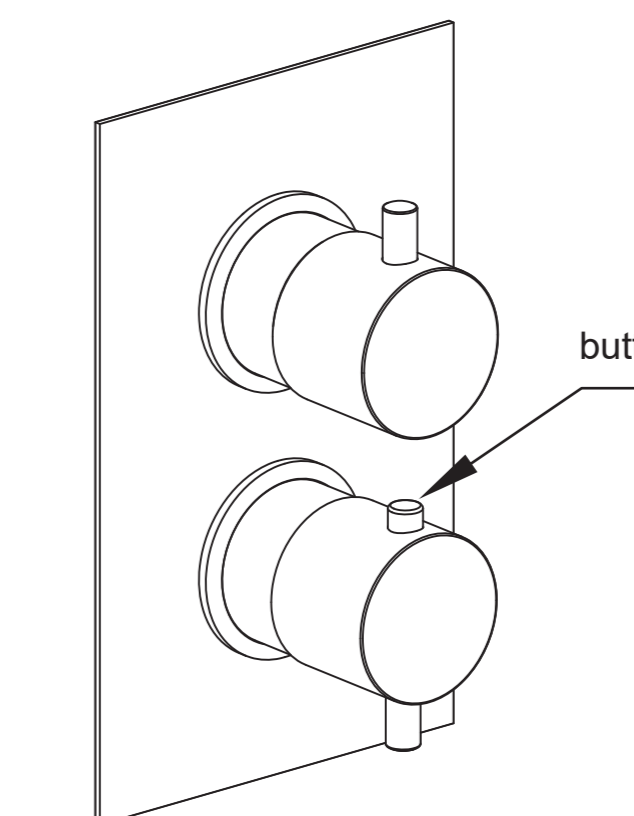
7. The installation is completed, check the faucet if it can be used normally.

⑦



8. Check the temperature difference from the 38 °C outlet water (± 2 °C is Normal phenomenon) Take out the thermostatic handle, turn the thermostatic handle to adjust the temperature and reinstall the thermostatic handle.

⑧

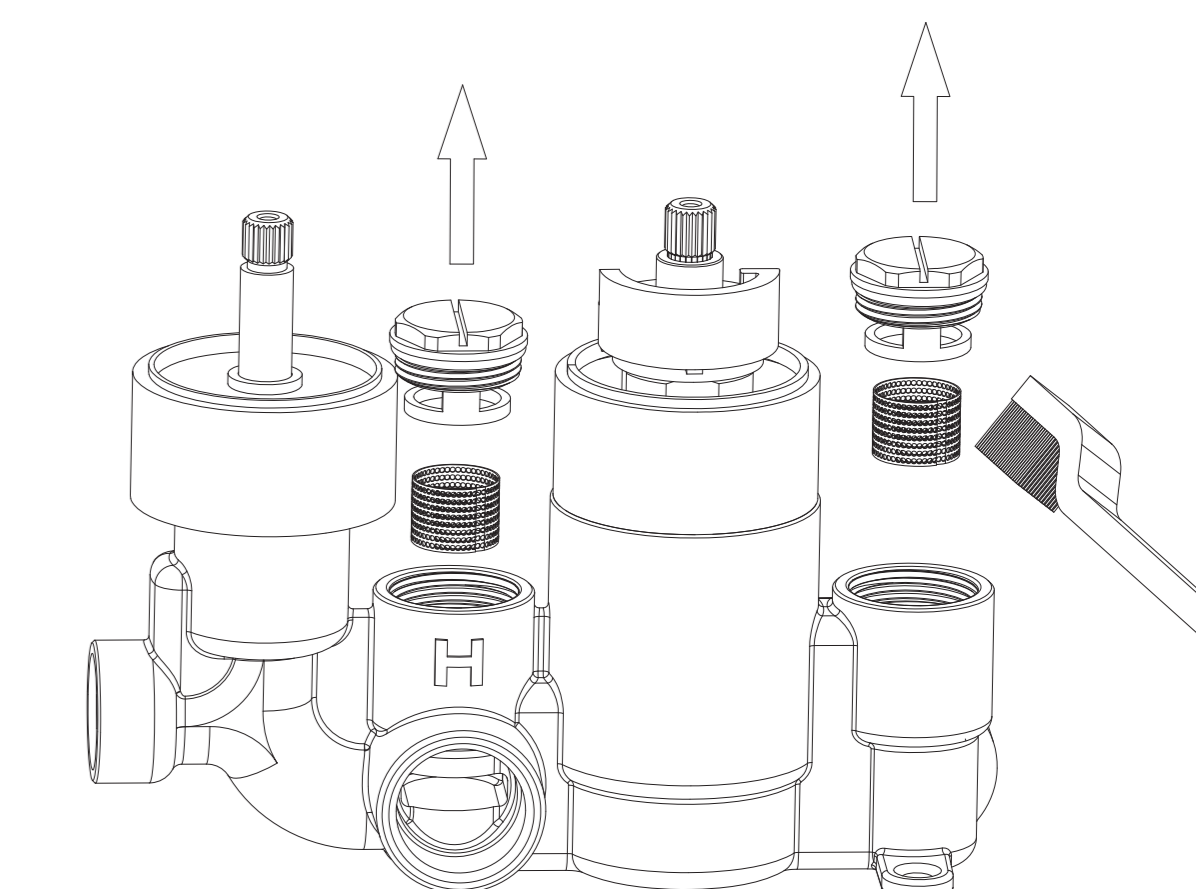


Instructions

1. Turn the right handle to adjust the outlet temperature; turn the handle clockwise to lower the outlet temperature, turn the handle counterclockwise to increase the outlet temperature; when the temperature rises to 38 °C, you need to press the handle button to continue to adjust the higher temperature.

⑨

2. If you feel that the flow rate of water out becomes significantly smaller, you need to install the filter gasket installed at the position of the water inlet joint. Disassemble it, clean the debris of the pipeline and the filter; then install it according to the original installation steps.



3. When the thermostatic system malfunctions, follow the steps below for maintenance:
 1) Provide an external force in the hottest / coldest place. Impurities can be washed away. Repeat the above operation to thermostatic effect recovery;
 2) If it still can't get back to normal using after following the above steps, you can first remove the back cover of the handle, use the screwdriver to open the screw on the side of the thermostat handle. Remove the thermostatic handle, handle positioning ring, handle positioning sleeve, plastic side

⑩