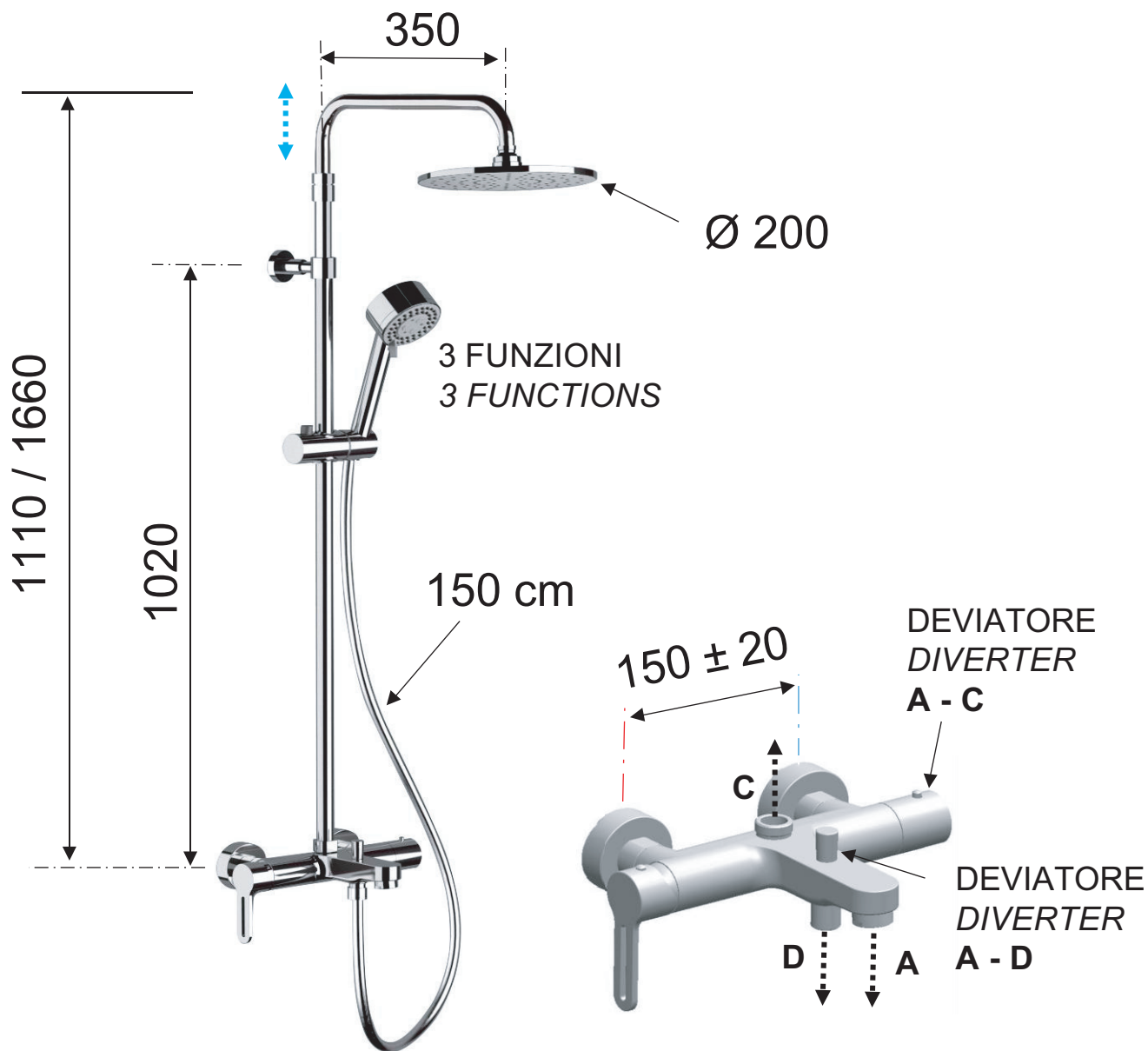




**Vetta
Rubinetterie**

ART. COD.

LOSCOBM3



MATERIALI / MATERIALS

OTTONE / BRASS
ABS / ABS - INOX - SILICONE

UNI EN 248