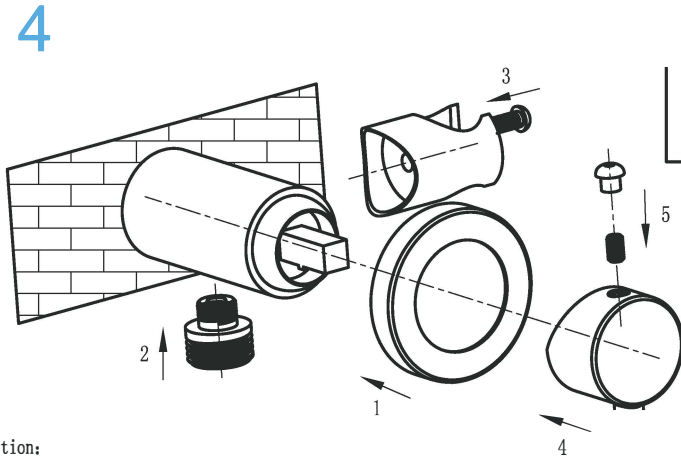
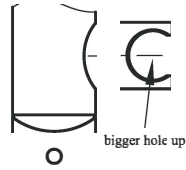
 Vetta Rubinetterie		www.vettarubinetterie.it	
DATA	REVISIONE	APP.ENTE	ARTICOLO
09-15	0	U.T.	SHUT07MIR

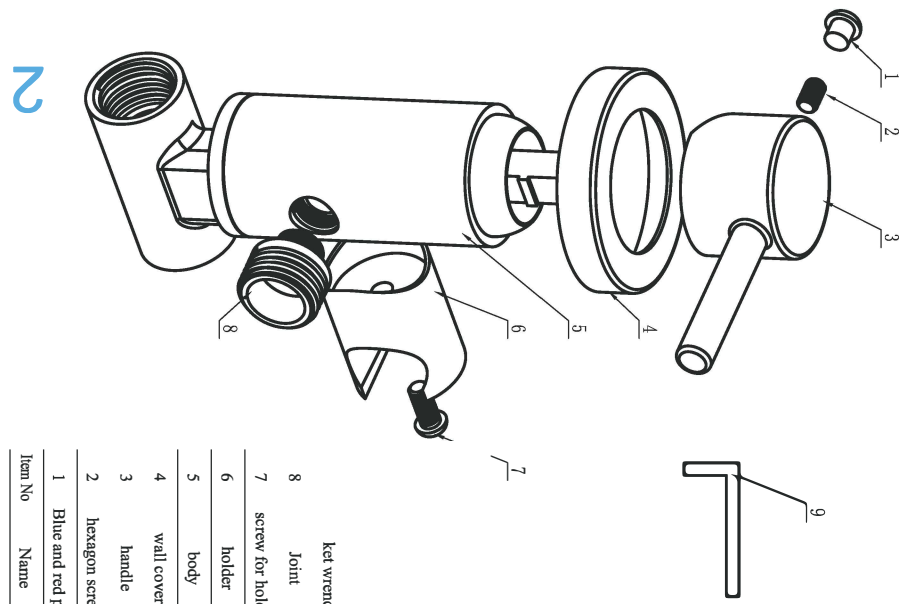
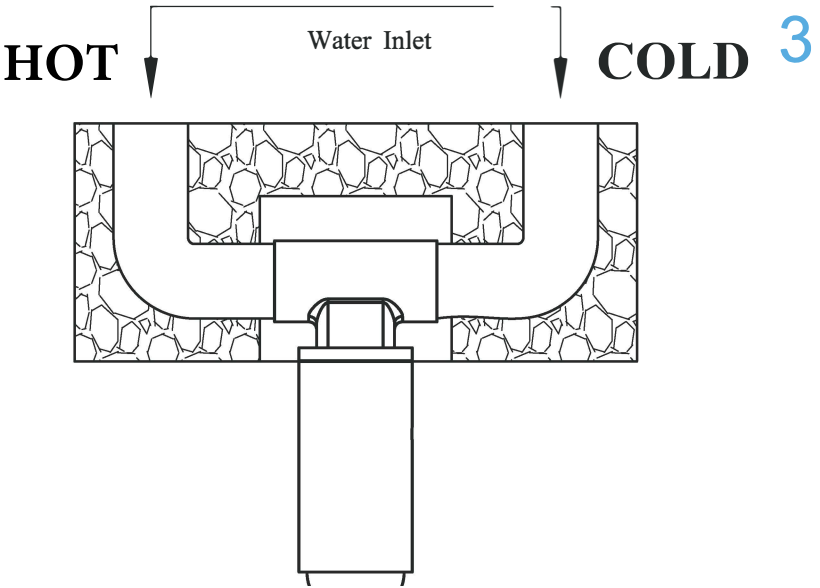


- Installation:
- 1, Put the cover through the body;
 - 2, Connect the Joint to the body screw;
 - 3, Put the holder close to the body and fasten two screws;
 - 4, Put the handle on the cartridge;
 - 5, Fix the hexagon screw with socket wrench then put the blue and red plug in.

Installation 2

Part List and Installation

1



Item No	Name	QTY
1	Blue and red plug	1
2	hexagon screw	
3	handle	
4	wall cover	
5	body	
6	holder	
7	screw for holder	
8	Joint	

ket wrench

Standard Part List

lation